

Beijing Flourishing Start Control Technology Co., Ltd.

5F Building 2, No.9 Shuangyuan Road, Shijingshan District, Beijing, China 100041

Tel: 0086 10 8890 9235

Mobile (WhatsApp): 0086 159 010 69532

Email: cuttingcnc@hotmail.com

Skype: henryhaozq

Wechat: hzq123chat

QQ: 297041476

Arc Voltage Torch Height Controller AHa-S2 & AHa-M2 Manual



Content

Safety-----	3
Warranty-----	3
Basic parameters-----	3
Technical features-----	3
Installation dimension-----	4
Connection-----	5
Panel & function-----	7

Safety

1. Please carefully read the manual before using the controller.
2. Professional workers use the controller.
3. It's dangerous to be close to CNC equipment that is working.
4. When the equipment has problem, please power off first, then check and repair it.
5. The power supply is DC24V.
6. Use shielded cable to connect.

Warranty

Period: within 12 month from the date of delivering products

Range: it's under warranty the product is damaged when it's used normally. Other situations are out of warranty.

Charge: it's free to repair products under warranty.

Basic Parameters

Processor: industrial ARM process chip

Display: 4-digit nixie tube

Auto height range: 2~30mm

Height adjustment accuracy: $\pm 0.5\text{mm}$

Power supply: DC24V, 3A

Working temperature: 0~40°C

Current of driver inside THC: 1.8A (AHa-S2) and 3A (AHa-M2)

Technical Features

1. Height & sensitivity adjustment knob

The height and the sensitivity can be statically or dynamically adjusted with the knob, and the value is saved in real time so that the operation is easier and faster. In addition, the pulse adjustment knob can be used longer than the contact potentiometer.

2. Industrial ARM processor

ARM embedded core has faster process speed, more powerful calculation and stronger anti-interference ability.

3. Stepper driver

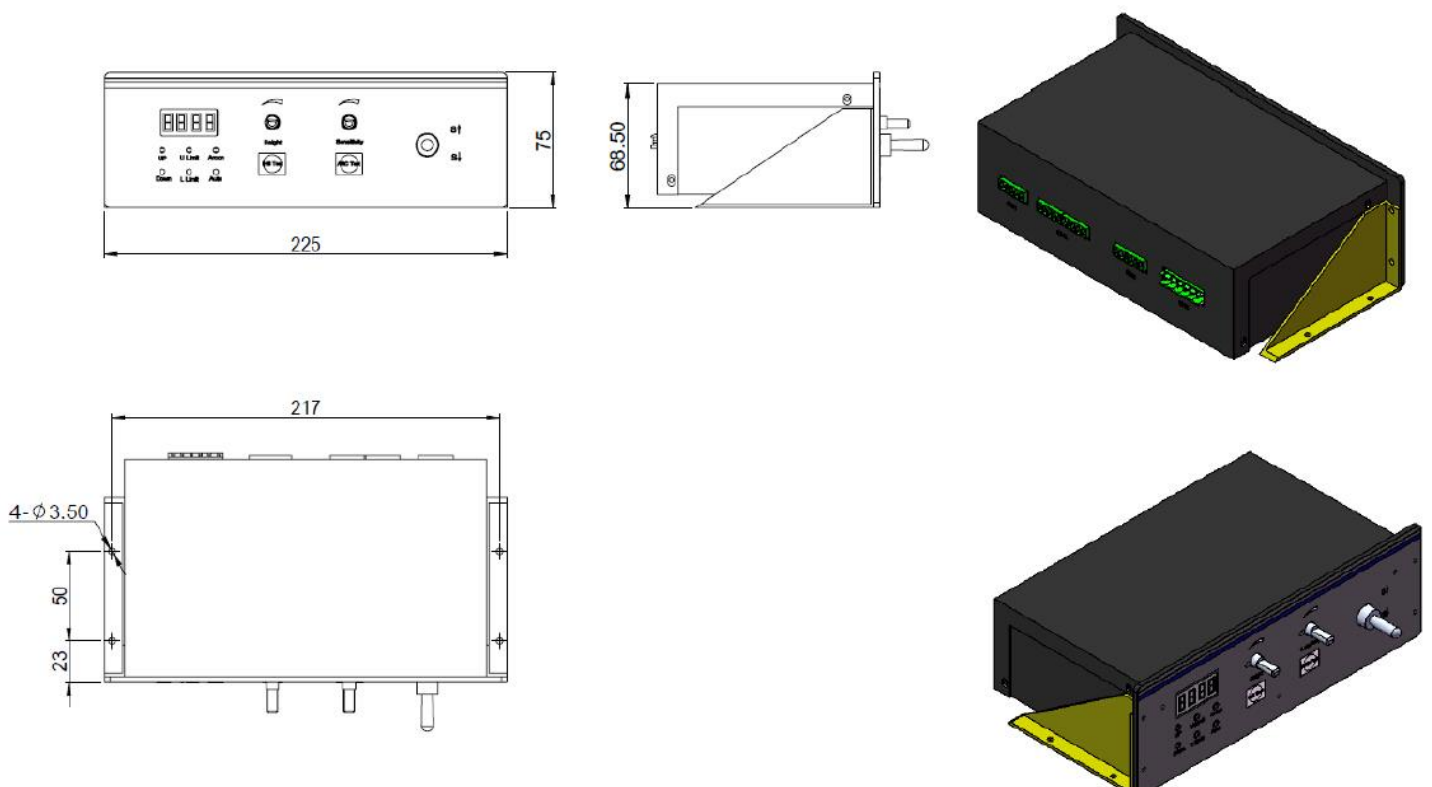
The controller has a built-in stepper driver that has bigger over-load current and better liability.

4. Aluminum alloy structure

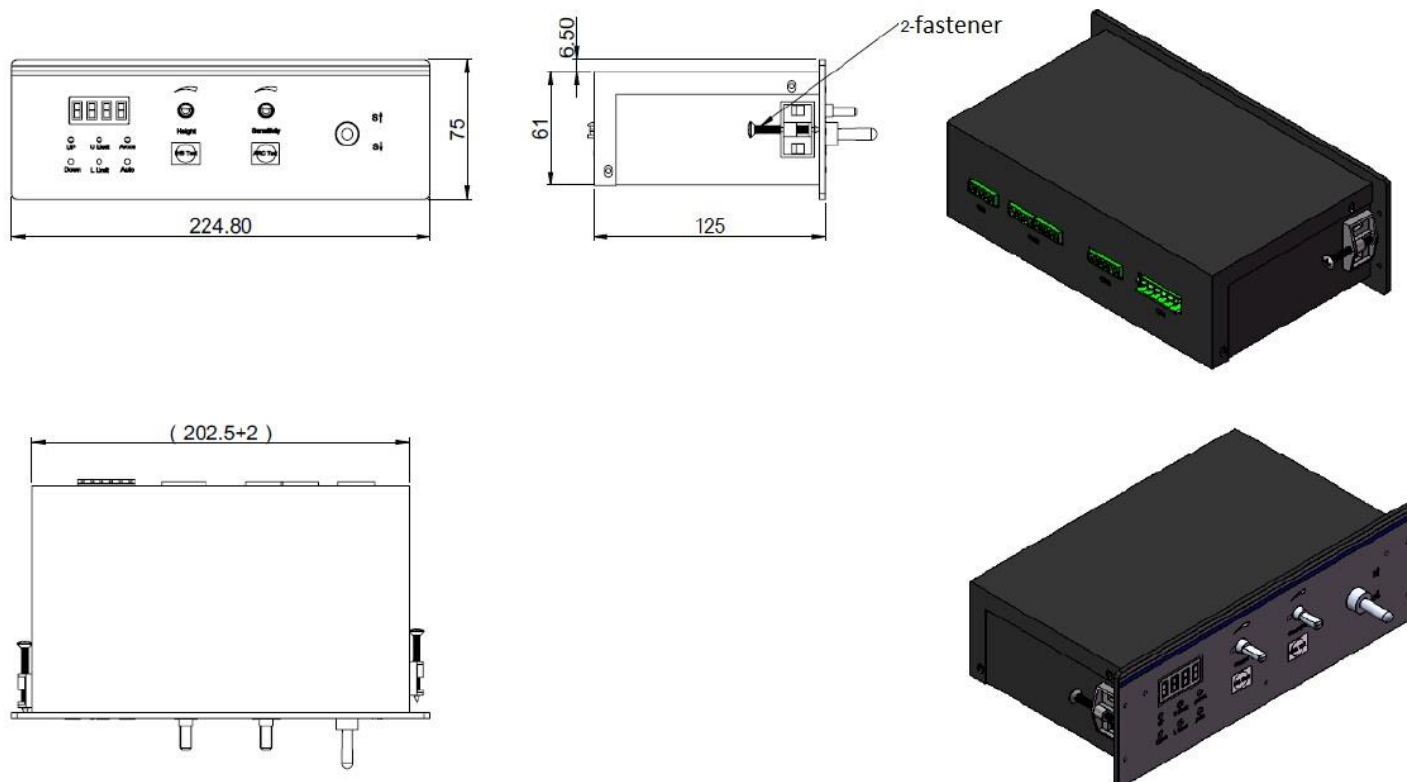
It has better mechanical strength.

Installation Dimension

Type 1



Type 2



Connection

Port CN1

Pin No.	Definition	Instruction
1	DC24V+ (input)	Connect with power supply DC24V+
2	DC24V- (input)	Connect with power supply DC24V-
3	DC24V+ (output)	Connect with THC divider DC24V+
4	DC24V- (output)	Connect with THC divider DC24V-
5	Arc voltage signal	Connect with THC divider arc voltage

Port CN2

Pin No.	Definition	Instrument
1	Manual/auto	Connect with THC signal of CNC

2	Up	Connect with torch up of CNC
3	Down	Connect with torch down of CNC
4	Arc input	Connect with arc strike of CNC
5	Auto cycle	Connect with arc strike of CNC
6	NC	useless
7	Location OK	Connect with torch location of CNC
8	Arc OK	Connect with arc success of CNC
9	Arc strike output	Connect with start signal of plasma power source
10	COM	

Port CN3

Pin No.	Definition	Instruction
1	DC24V+ (output)	
2	DC24V- (output)	
3	Zero	Connect with zero point of lifter
4	Upper limit	Connect with upper limit of lifter
5	Lower limit	Connect with lower limit of lifter
6	NC	useless

Port 4



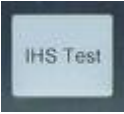
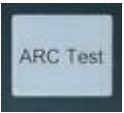

Pin No.	Definition	Instruction
1	A+	Connect A+ of lifter motor
2	A-	Connect A- of lifter motor
3	B+	Connect B+ of lifter motor

4	B-	Connect B- of lifter motor
5	Motor power +	AHb-S2: DC24V
6	Motor power -	AHb-M2: DC24V

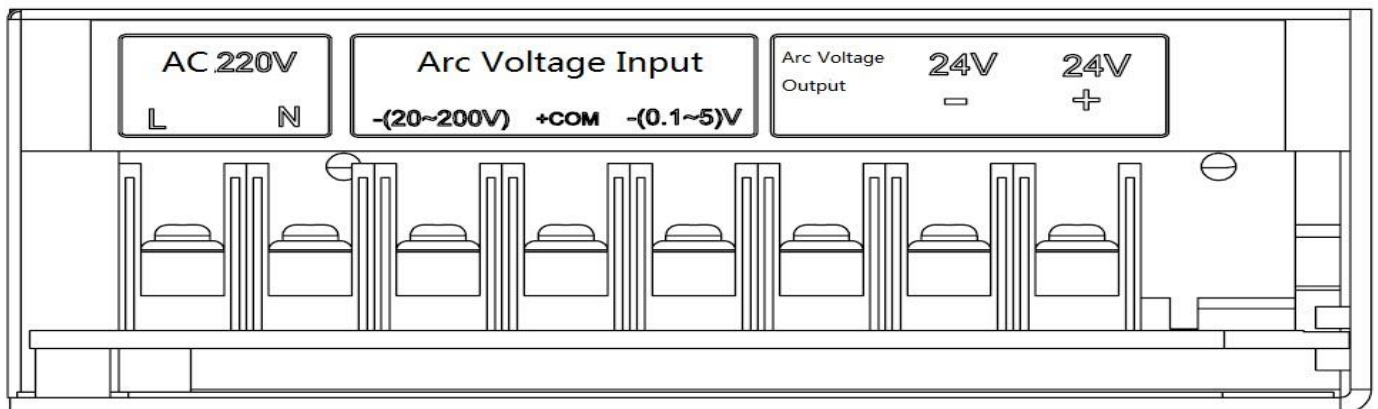
Panel & Function



	<p>U: plasma mode, value: 30~250</p> <p>Before arc strike, it's the set arc voltage value. After arc strike, it's the actual arc voltage value.</p> <p>The set arc voltage value decides the cutting height. Usually the manual of plasma power source has a parameter table, including arc voltage, speed, etc.</p>
<p>parameter & state display</p>	<p>E: sensitivity, value: 1~10</p> <p>When cut, the bigger the value is, the slower the track frequency is.</p>
<p>b: initial location height (pierce height), value 1~20mm</p>	
	<p>Up: torch moves up</p> <p>Down: torch moves down</p> <p>U Limit: upper limit</p> <p>L Limit: lower limit</p>
<p>state indicator light</p>	

	Arcon: arc strike Auto: auto state
	set U value (cutting height) set b value (initial location height/pierce height) after press the knob in manual state
	set E value (sensitivity) one-key location (press the knob in manual state): the torch moves down, then touches the plate, then moves up and stops at the location height
	initial location test, the same function as one-key location the torch moves down, and before it touches the plate, when press up & down keys, the location is cancelled
	arc strike test, press the key to work, and press it again to stop
	manual up & down key, press the key to work, and loose it to stop

Voltage divider box AHD1



AC220V L & N: connect AC220V power supply

Arc Voltage Input -(20~200)V: connect original arc voltage- of plasma power source

Arc Voltage Input +COM: connect arc voltage+ of plasma power source

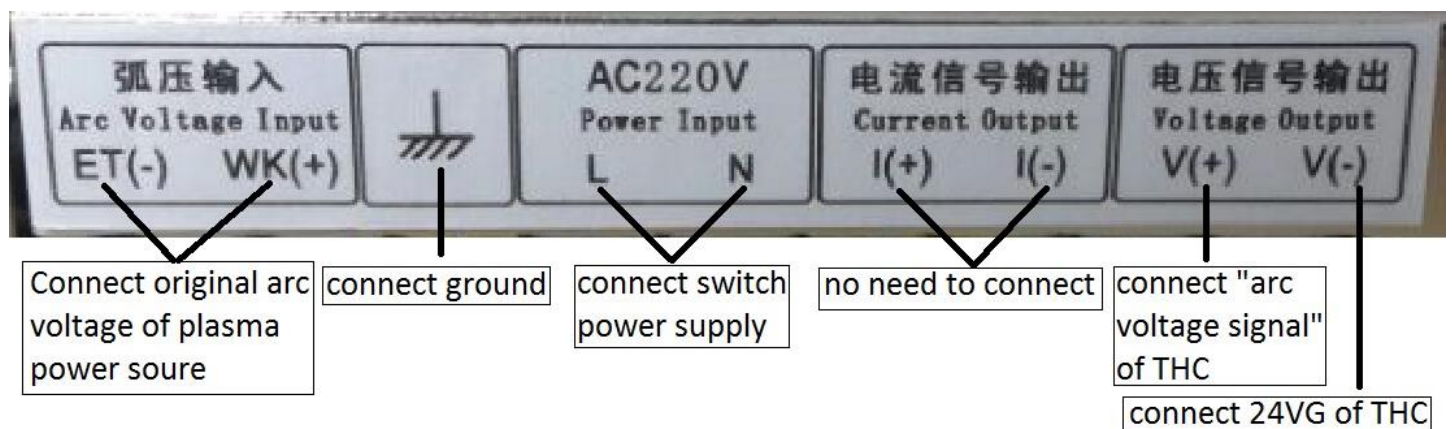
Arc Voltage Input -(0.1~5)V: connect 50:1 arc voltage- of plasma power source. And

open the box, break the jumper JP2 and connect.

Arc Voltage Output: connect arc voltage signal of THC.

24V-/+ : connect DC24V power supply

Voltage divider box AHD2



Voltage divider box AHD3

Pin No.	Definition
1(L) & 2(N)	Connect with AC100~240V power supply
3 (E)	Connect with ground
4(WK+)	Connect with arc voltage output of plasma power source
5(ET-)	If arc voltage output of plasma power source is 1:1, then ONLY connect jumper 100:1 inside AHD3
	If arc voltage output of plasma power source is 50:1, then ONLY connect jumper 2:1 inside AHD3
6(NC) & 7(NC)	Not connect

8(VO+)	Connect with pin 5 "arc voltage signal" of CN1
9(VO-)	Connect with pin 4 "DC24V- (output)" of CN1

